

RA1x2 Quick Start Guide

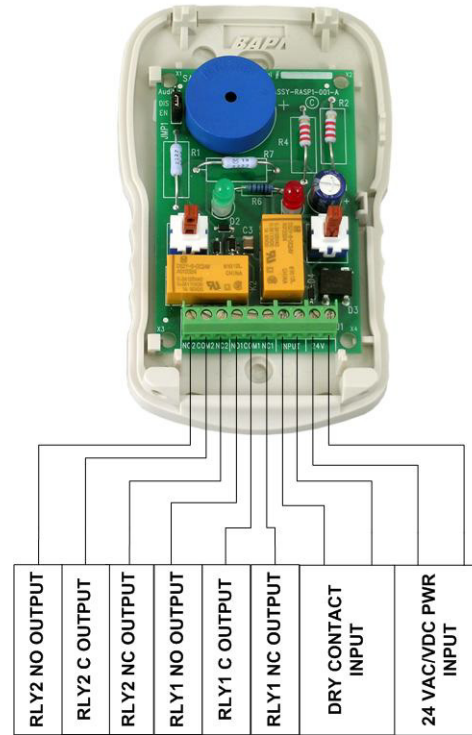


Thank you for purchasing the Raptor RA1x2. This guide describes how to install the RA1x2.

If you need further assistance, contact RLE Technologies on our website at <http://www.rletech.com/> (go to the **Support Link**) or by calling **970.484.6510, Option 2.**



1 Installation



Electrical Connections

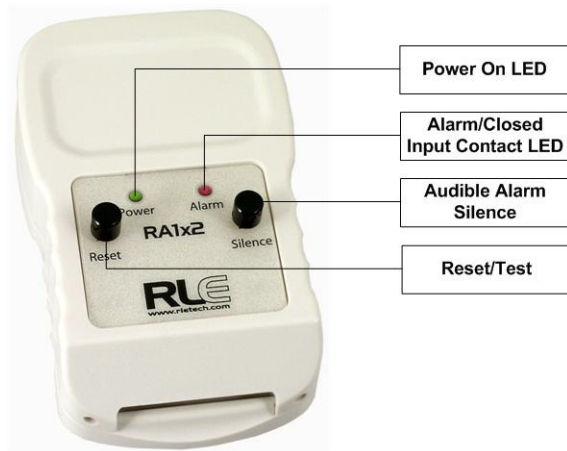
- 1 Connect the 24VAC/VDC to J1 pin 9 and pin 10.
- 2 Connect the alarm input (dry contact) to J1 pin 7 and pin 8.

Alarm Relay Output Wires

Input Wires

Relay 1	-	Common (COM)	J1 pin 5
Relay 1	-	Normally Open (NO)	J1 pin 4
Relay 1	-	Normally Closed (NC)	J1 pin 6
Relay 2	-	Common (COM)	J1 pin 2
Relay 2	-	Normally Open (NO)	J1 pin 1
Relay 2	-	Normally closed (NC)	J1 pin 3

2 Operation and Testing



The RA1x2 reports the closure of a dry contact change of state. When a change is detected, the audible alarm sounds and the alarm LED illuminates.

Silence and Reset

- 1 Silence the audible alarm by pushing the Silence button.
- 2 Select the Reset push button to immediately reset.

Testing

Once the unit has been installed and all electrical connections have been made, test the RA1x2 for proper operation:

- 1 Push the Reset (Test) button, or cause an alarm on the device being monitored.
If the RA1x2 is in proper working order, the alarm LED illuminates, and the audible alarm sounds.
- 2 While the alarm is on, push the Silence button to verify that the audible alarm is silenced.
- 3 If the alarm does not sound and the LEDs do not illuminate, check the power connections, and verify that the power-on LED is illuminated.